



INSTITUTE OF MANAGEMENT AND INFORMATION TECHNOLOGY



Introduction

Network+

Cabling
& Wireless

CLUSTER-COURSE

INCLUDED VMWARE VIRTUALIZATION
WINDOWS SERVER 2016

Instructor: Ing. Urwin W. Staphorst MBA (MCT)

Trainer: Ing. Weerin Kalpoe

Assistant: Johan Kalpoe

**BLENDED
LEARNING 70 %
CLASSROOM 30 %
ONLINE**

**START DATE
FEBRUARY 1, 2022**



Compact-Training Overview

This course is designed primarily for upcoming IT professionals with BasicIT knowledge of networking and network devices who are looking gain knowledge about the infrastructure layer of Networking and about the physical layer of Cabling and Wireless Networking.

Learning Outcomes – Topics - Compact

- Understanding the importance of optimally equipped wired and wireless network infrastructure;
- Gain knowledge about the LAN / WAN cabling infrastructures and related equipment and protocols;
- Learning the requirements “to plan, implement and maintain a basic Cabling and Wireless Network;
- Recognizing the various components in a LAN / WAN infrastructure;
- IPv4 Addressing- Deploy and configure Network Services (TCP/IP);
- Crimping and patching on jacks and panels;
- Plan, Install and configure DNS- NAT-VPN- SUBNETTING-ROUTING-REMOTE ACCESS;



INVESTMENT: ALL-IN USD 500 USD

Instructional Method and Requirements

During this training, participants can expect:

- Classroom setting Lectures, with sufficient room to analyze real-world problems;
- Very hands-on in-class assignments- Take-home (Online) assignments;
- TEAMS ONLINE assignments.

Required Training Materials

This course is based on the COMPTIA NETWORK + STUDY GUIDE
IMIT PDF READERS, Cable and Wireless Networks. Mário Marques da Silva.-.

Technical Requirements * Laptop i5+ / 12+ GB memory / Free Disk
space 500 GB + * Ext. Drive 500 GB +

| # | Date | Time | Topics - COMPACT |
|----|-------------------|--------|------------------------------------------------------------------------------------------------------------------------------------------------------------|
| 1 | Tuesday 1.2.22 | 6-9 pm | Introduction: Network Protocols, Cable and Wireless Network Practical assignment: Installing VMWare –Cloning Server 2016 – Implement IPv4 Addressing |
| 2 | Friday 4.2.22 | idem | Designing a Wired and Wireless network infrastructure logically based on the theory. Practical assignment |
| 3 | Tuesday 8.2.22 | idem | Plan and Implement NAT-DNS network based on logical design. Practical assignment: Implement Internet Access |
| 4 | Friday 4.2.22 | idem | Continuation: Cabling and wireless advanced: configuration of wired and wireless network based on logical design. Practical assignment. |
| 14 | 18.3.22 | idem | End-course evaluation. Review of practical assignment and discussing requirements for practical demo and theoretical exam |
| 15 | OPEN | | Final Exam/ Demo SUBJECT TO CHANGE |



About the Instructor

Ing. Urwin W. Staphorst MBA – Microsoft Certified Trainer

Highly motivated and focused team player who can also work independent and specialized in Microsoft Training, the development of new projects, with strong skills in system design and development. With a Bachelor degree in Information Technology and a Master of Business degree under his belt, he is also authorized by Microsoft as a Microsoft Certified Trainer (MCT) ever since 2000.

About the Trainer

Ing. Weerin Kalpoe

Weerin has experience as network designer, network architect, network implementer and troubleshooting. In-depth knowledge of TCP/IP and has worked with many different vendors.

About the Assistant

Johan Kalpoe

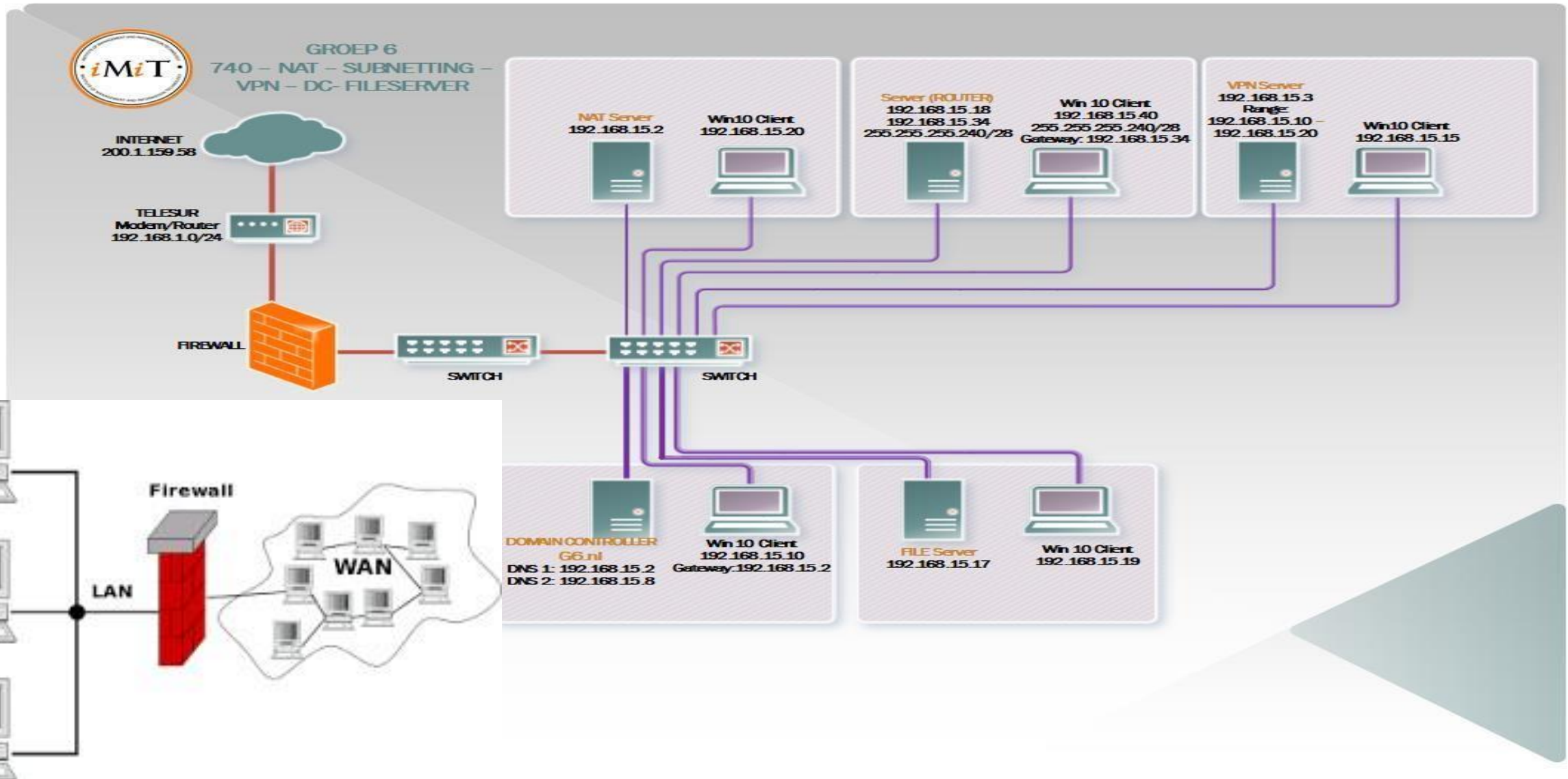
Johan has experience with advanced IT systems as well as Networking concepts on an Administrator level.

Johan has worked in various sectors in IT and has build up a relative experience level..

Certificate



Basic Network Design



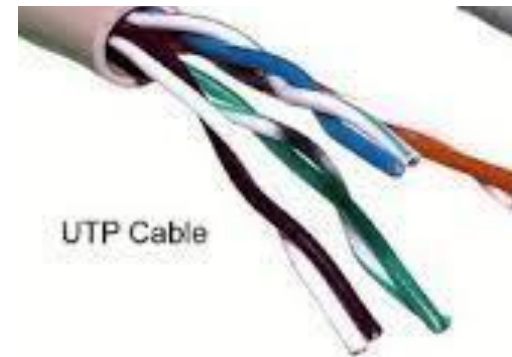
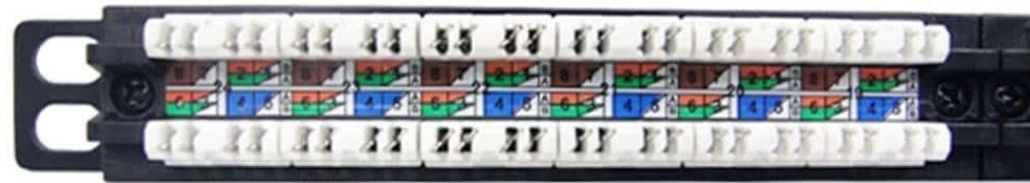
Basic Devices

Switches, Routers. Access Points

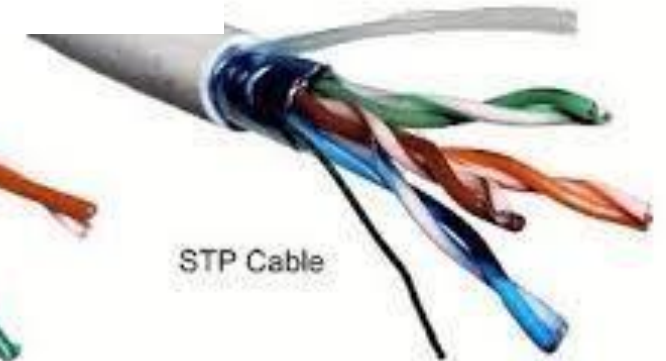


Basic Networking Cables and Tools

- Crimp
- Punch
- Patching
- Cable tester
- Unshielded Twisted Pair / Shielded Twisted Pair



UTP Cable



STP Cable

VMWARE VIRTUALIZATION

Windows Server 2016 DC30 TEST.COM - VMware Workstation

File Edit View VM Tabs Help

Home Windows Server 2016 DC... Windows Server 2016 NAT30 ... Windows 10-36 test.com

Recycle Bin Server Manager Google Chrome

Dashboard Local Server All Servers AD DS DNS File and Storage Services

Network

Computer (3)

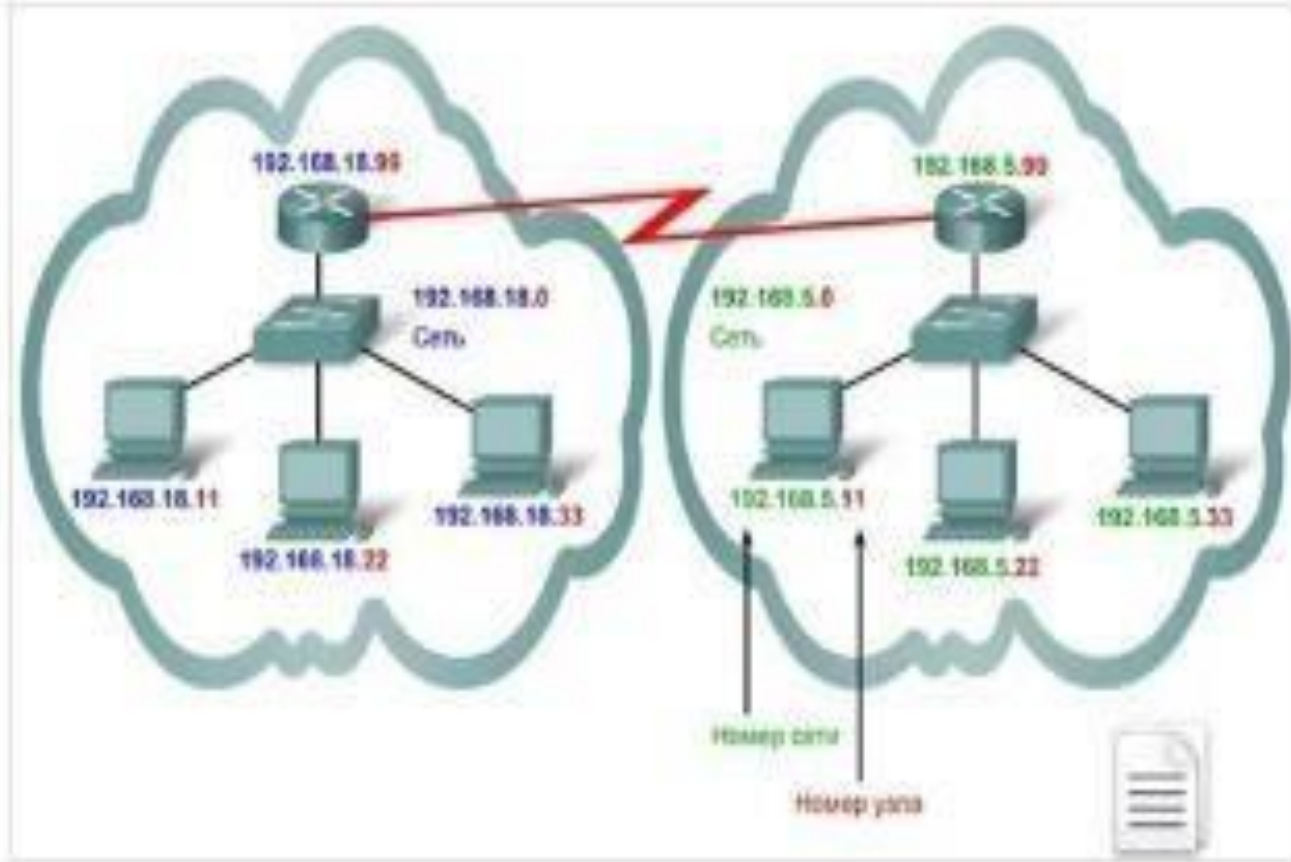
- DC30
- NAT30
- W10-36

AD DS 1 DNS 1 File and Storage Services 1

01:13 Type here to search 2:08 PM 11/24/2020

Activate Windows Go to Settings to activate Windows.

To return to your computer, move the mouse pointer outside or press Ctrl+Alt.



IP: Internet Protocol



IMIT: CLUSTER TRAINING NETWORK+ -CABLING AND WIRELESS NETWORKING

UWS 1.12.2021-1- INFO@IMITSURINAME.ORG – MOB. 8553202- 8893016